



**TAIWAN METERS**  
TAIWAN SAFETY CONTROLS

**Micro Switch,  
Limit Switch,  
Toggle Switch**



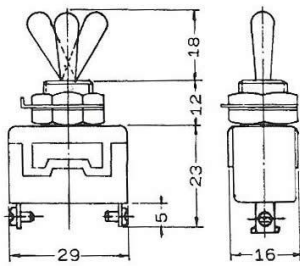
NAME PLATE



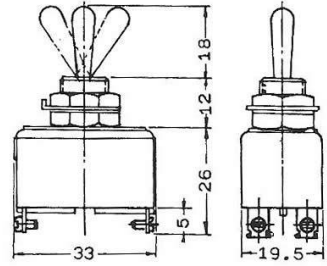
■ FEATURES :

- Current : 10A and 15A
- Movement way : Go-on, auto-return.
- Terminal type : Screw type, solder and tab type.
- Rainproof cap : Waterproof and oiltinght.
- Mounting hole :  $\phi 12\text{m/m}$ .

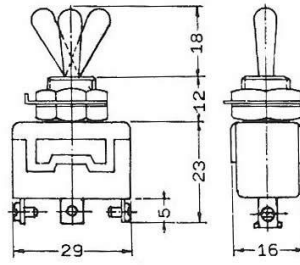
1021 2 Pole ON-OFF  
AC 250V 10A 15A



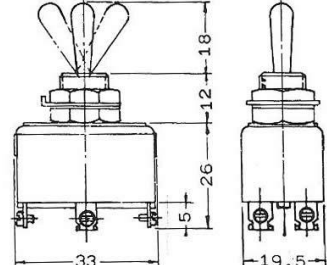
1221 4 Pole ON-OFF  
AC 250V 10A 15A



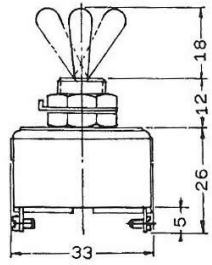
1121 3 Pole ON-OFF  
AC 250V 10A 15A



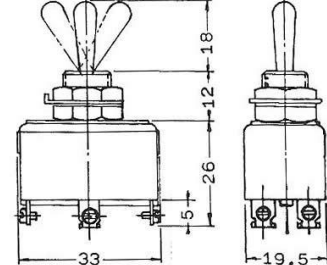
1321 6 Pole ON-OFF  
AC 250V 10A 15A



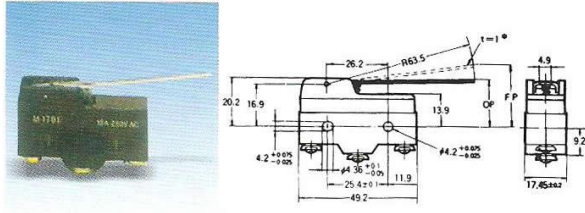
1122 3 Pole ON-OFF  
AC 250V. 10A 15A



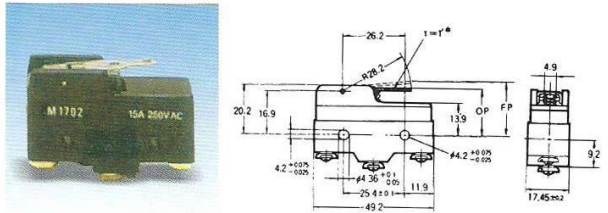
1322 6 Pole ON-OFF  
AC 250V. 10A 15A



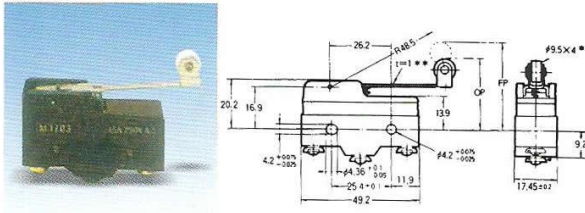
AM-1701



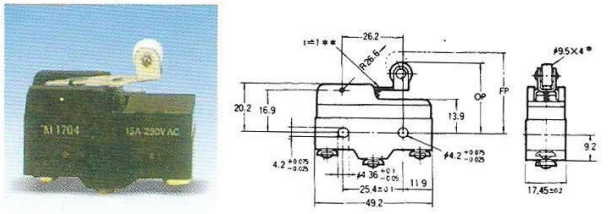
AM-1702



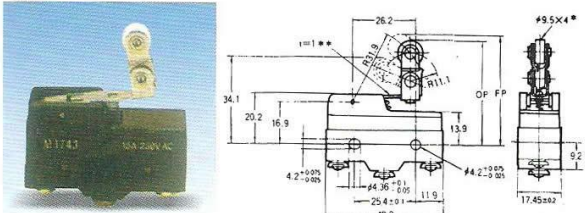
AM-1703



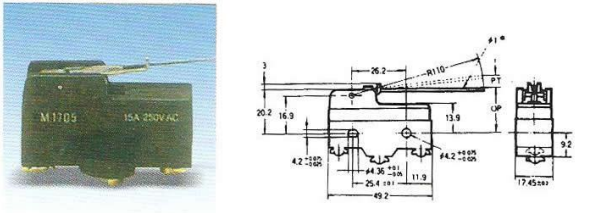
AM-1704



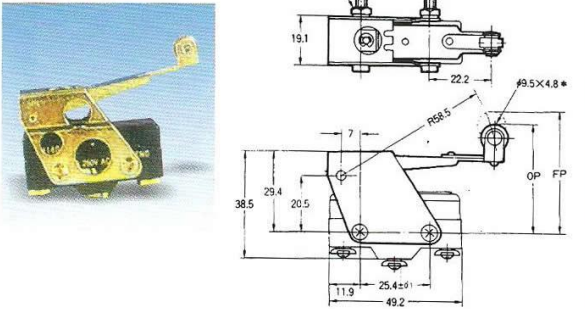
AM-1743



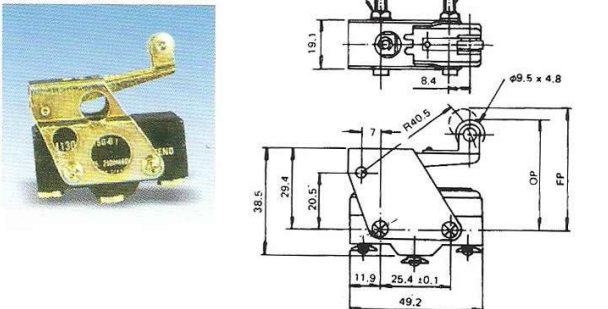
AM-1705



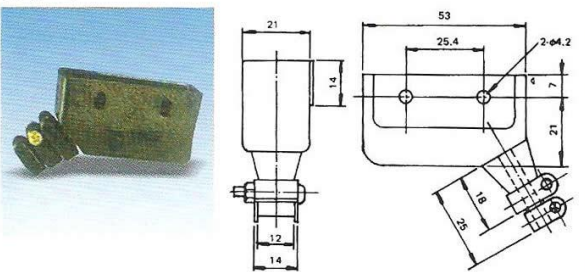
AM-1401



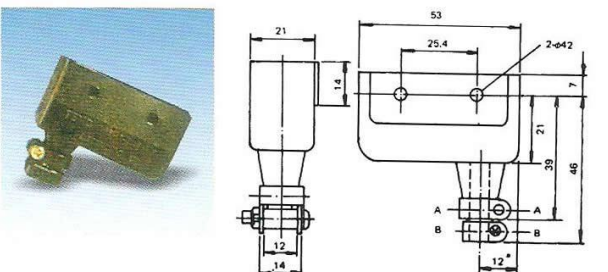
AM-1501



TAP-Y



TAP-Z

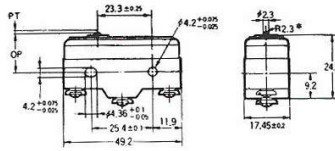




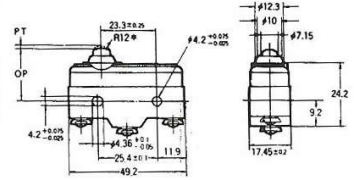


■ DIMENSIONS

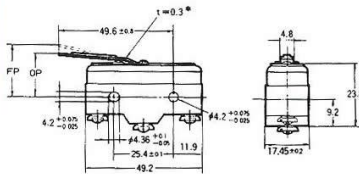
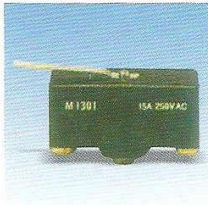
AM-1300



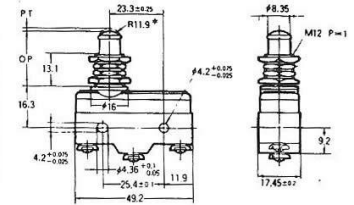
AM-1306



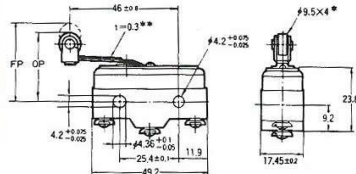
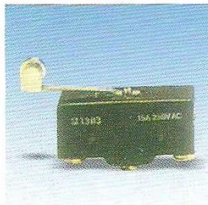
AM-1301



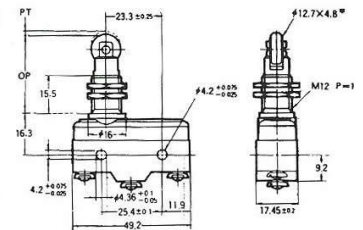
AM-1307



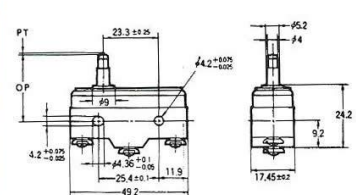
AM-1303



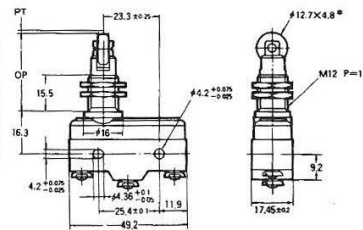
AM-1308



AM-1305



AM-1309



TYPE	AM 1300	AM 1301	AM 1303	AM 1305	AM 1306	AM 1307	AM 1308	AM 1309
OF max.	350g	150g	150g	350g	350g	350g	350g	350g
RF min.	114g	14g	14g	114g	114g	114g	114g	114g
PT max.	0.4 mm	4 mm	4 mm	0.4 mm	0.4 mm	0.4 mm	0.4 mm	0.4 mm
OT min.	0.13 mm	1.6 mm	1.6 mm	1.6 mm	1.6 mm	5.5 mm	3.58 mm	3.58 mm
MD max.	0.05 mm	1.3 mm	1.3 mm	0.05 mm	0.05 mm	0.05 mm	0.05 mm	0.05 mm
F P max.		20.6 mm	31.8 mm					
OP	15.9±0.4 mm	15.9±0.4 mm	28.6±0.8 mm	28.2±0.5 mm	21.5±0.5 mm	21.8±0.8 mm	33.4±1.2 mm	33.4±1.2 mm

**Economical, Miniature Limit Switch  
Boasting Rigid Construction**

**FEATURES**

- Built-in basic switch double spring mechanism
- Long life (10.000.000 mechanical operations)
- Highly rigid construction (Head and cover snugly fit in box)
- Dustproof and drip-proof construction
- Smooth operation with greater OT
- Easy-to-wire conduit opening design

**SPECIFICATIONS**

**RATINGS**

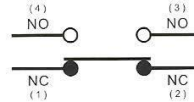
Rated voltage	Non-inductive load				Inductive load			
	Resistive load		Lamp load		Inductive load		Motor load	
	N.C.	N.O.	N.C.	N.O.	N.C.	N.O.	N.C.	N.O.
125 VAC	5	5	1.5	0.7	3	3	2	1
250 VAC	5	5	1	0.5	3	3	1.5	0.8
8 VDC	5	5	3	3	5	4	3	3
14 VDC	5	5	3	3	4	4	3	3
30 VDC	5	5	3	3	4	4	3	3
125 VDC	0.4	0.4						
250 VDC	0.2	0.2						

- NOTES:**
1. Inductive load has a power factor of 0.4min. (AC) and a time constant of 7msec. Max. (DC)
  2. Lamp load has an inrush current of 10 times the steady-state current, while motor load has an inrush current of 6 times the steady-state current.



5A250VAC

**CONTACT CONFIGURATION**



**CHARACTERISTICS**

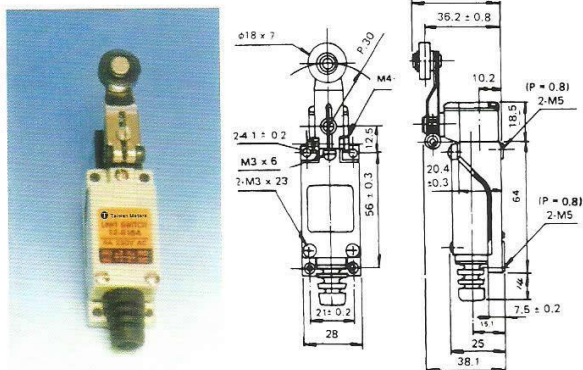
Operating speed	5mm to 50cm/s
Operating frequency	120 operations/min
Contact resistance	25m $\Omega$ (initial)
Insulation resistance	100m $\Omega$ min. (at 500 VDC)
Dielectric strength	1,000 VAC, 50/60Hz for 1 minute between non-continuous terminals 1,500 VDC, 50/60Hz for 1 minute between current-carrying and non-current-carrying parts and between each terminal and ground
Vibration	10 to 55Hz, 1.5mm double amplitude
Shock	Approx. 300m/s <sup>2</sup> ( approx. 30G's )
Ambient temperature	Operating: -5 to +65 $^{\circ}$ C
Humidity	95% RH max.
Service life	Mechanically: 10,000,000 operations min. Electrically: 500,000 operations min.
Weight	Approx. 130 to 190g
Degree of protection	IEC : IP65

**OPERATING CHARACTERISTICS**

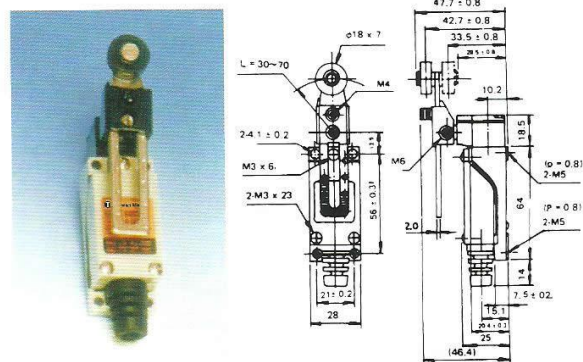
Operating characteristics	Type	TZ-8104	TZ-8108	TZ-8107	TZ-8111	TZ-8112 TZ-8122	TZ-8166 TZ-8167 TZ-8168 TZ-8169
		OF max.		750g	750g	750g	900g
RF min.		100g	100g	100g	150g	150g	—
PT max.		20 $^{\circ}$	20 $^{\circ}$	20 $^{\circ}$	1.5mm	1.5mm	30mm
OT min.		50 $^{\circ}$	50 $^{\circ}$	50 $^{\circ}$	4mm	4mm	—
MD Max,		12 $^{\circ}$	12 $^{\circ}$	12 $^{\circ}$	1mm	1mm	—
OP		—	—	—	26 $\pm$ 0.8mm	37 $\pm$ 0.8mm	—

**DIMENSIONS** ( unless otherwise specified, a tolerance of  $\pm$ 0.4mm applies to all dimensions. )

TZ-8104



TZ-8108

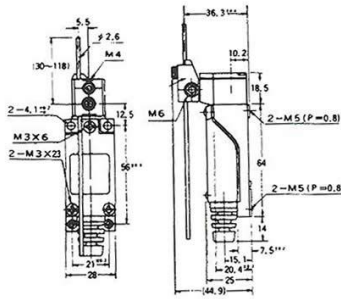




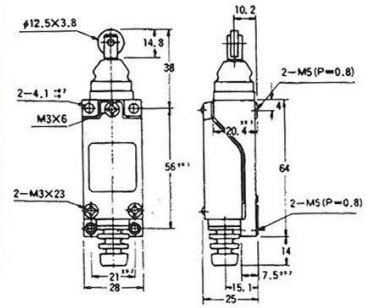


# LIMIT SWITCH

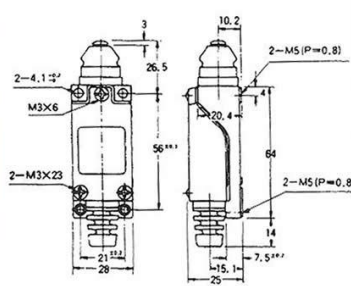
### TZ-8107



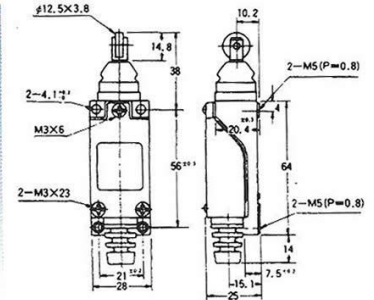
### TZ-8112



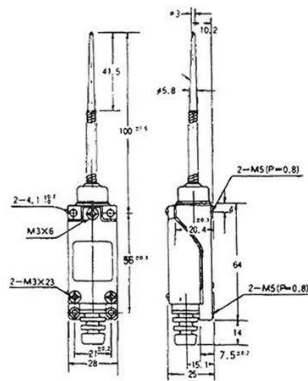
### TZ-8111



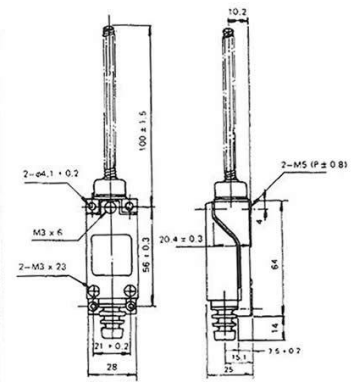
### TZ-8122



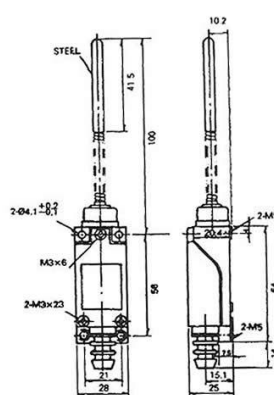
### TZ-8166



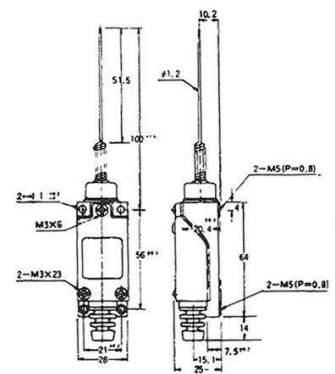
### TZ-8167



### TZ-8168



### TZ-8169



● OPERATING CHARACTERISTICS

Type	TZ-5104	TZ-5102	TZ-5106	TZ-5169	TZ-5108	TZ-5107	TZ-5105	TZ-5101
Operating characteristics								
OF (max.)	1.360g	2.720g	150g	29g	1.360g	142g	1.200g	2.720g
RF (min.)	227g	910g	—	—	227g	28g	—	910g
PT (max.)	20°	1.7mm	28mm	28mm	20°	20°	55°	1.7mm
OT (min.)	30°	5.6mm	—	—	30°	30°	35°	6.4mm
MD (max.)	12°	1mm	—	—	12°	12°	—	1mm
T.F (max.)	2.720g*	—	—	—	2.720g*	200g*	—	—
TT (min.)	50°*	44±0.8mm	—	—	50°*	50°*	OP:90±10°	OP:34±0.8mm

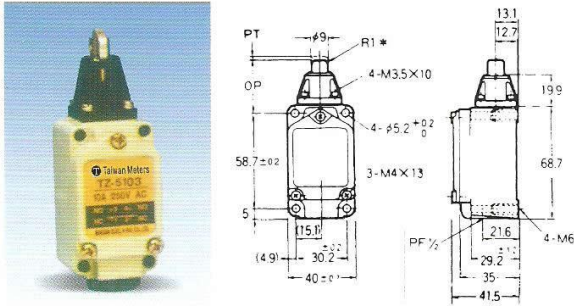
Type	TZ-5104-2	TZ-5108-2	TZ-5107-2	TZ-5104-2N	TZ-5108-2N	TZ-5107-2N
Operating characteristics						
OF (max.)	900g	900g	245g	980g	980g	270g
RF (min.)	227g	50g	14g	120g	120g	30g
PT (max.)	30°	30°	30°	20°	20°	20°
OT (min.)	60°	60°	60°	70°	70°	70°
MD (max.)	16°	16°	16°	10°	10°	10°
T.F (max.)	—	—	—	1.260g	1.260g	350g

● Mounting holes  
Basic type and-2 SERIES

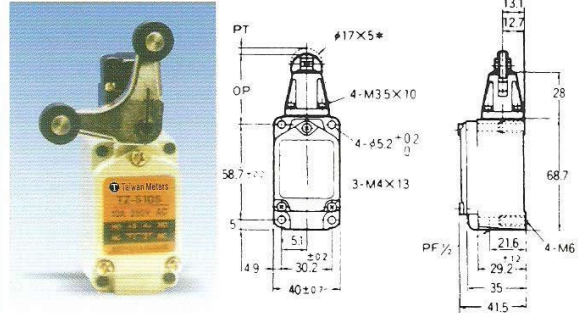


■ DIMENSIONS (Unless otherwise specified, a tolerance of ±0.4mm applies to all dimensions.)

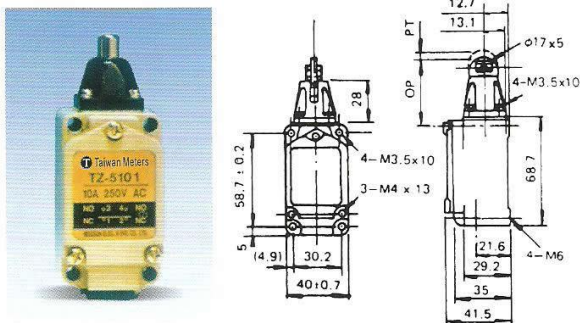
TZ-5101



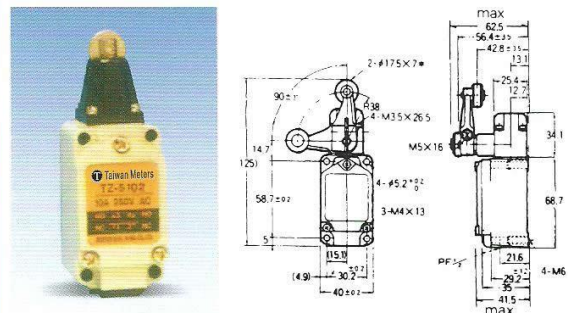
TZ-5107-2N



TZ-5103

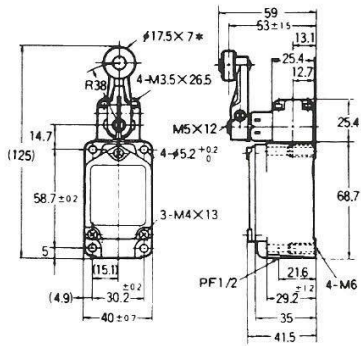


TZ-5105  
TZ-5125  
TZ-5135

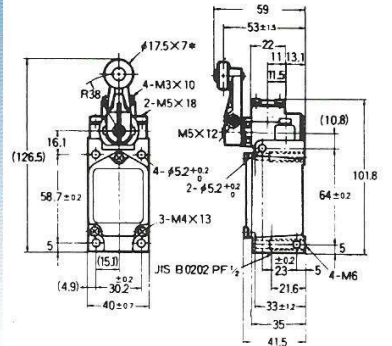
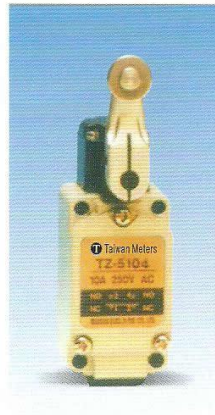




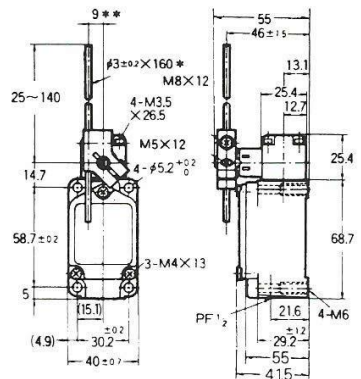
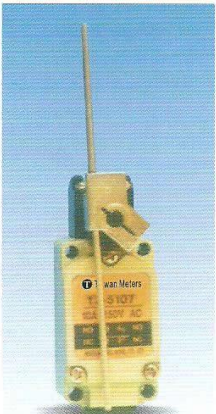
TZ-5104  
TZ-5104-2



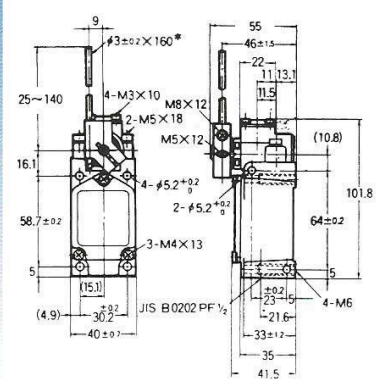
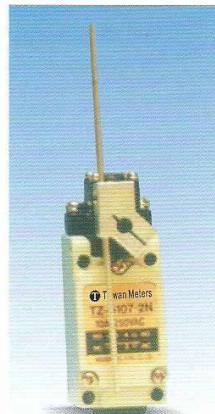
TZ-5104-2N



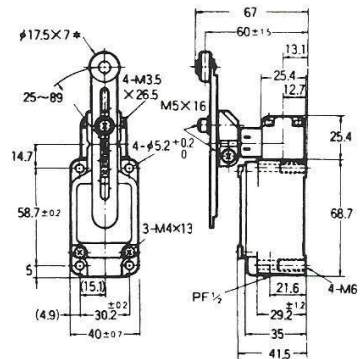
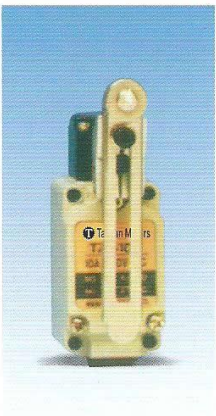
TZ-5107  
TZ-5107-2



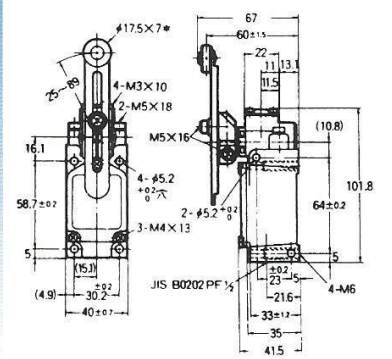
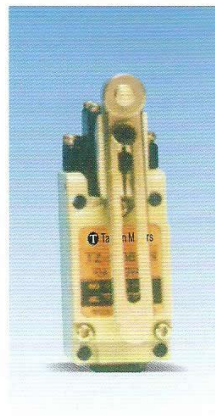
TZ-5107-2N



TZ-5108  
TZ-5108-2



TZ-5108-2N

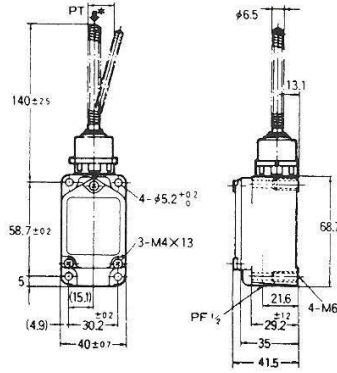




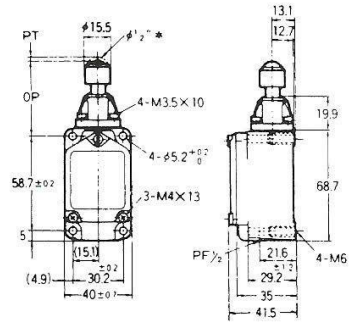
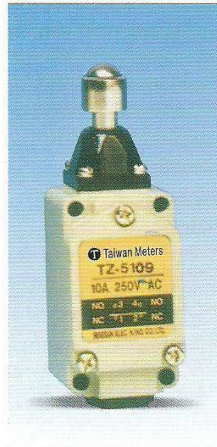


# LIMIT SWITCH

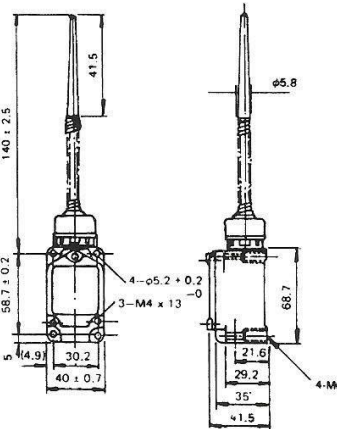
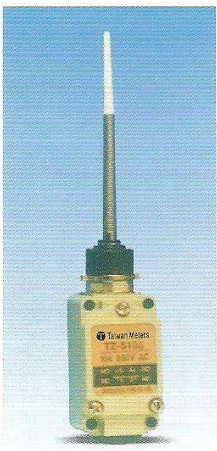
### TZ-5106



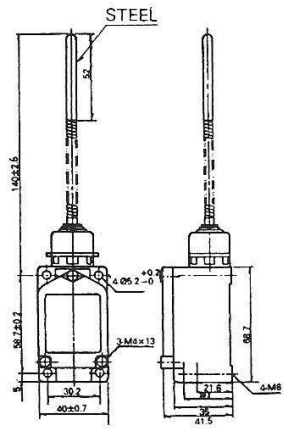
### TZ-5109



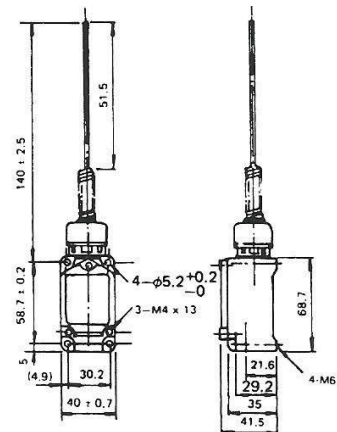
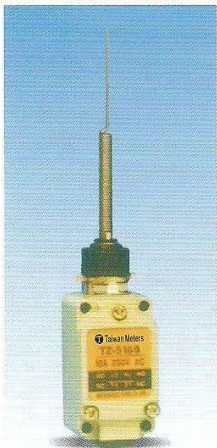
### TZ-5166



### TZ-5168



### TZ-5169



### TZ-501

