



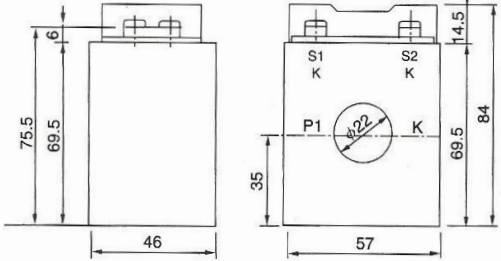
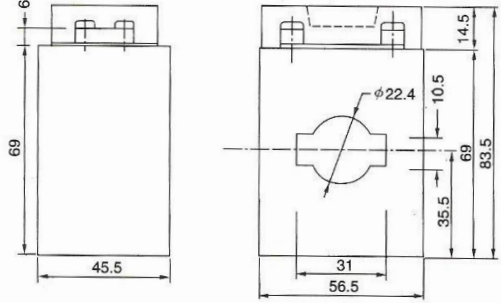
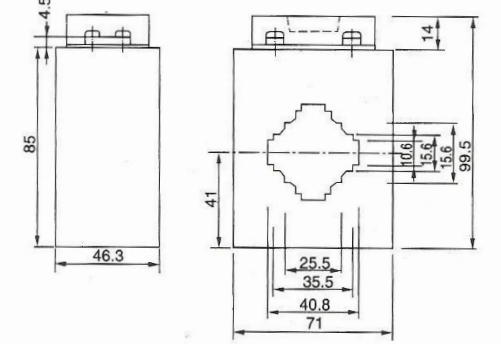
TAIWAN METERS
TAIWAN SAFETY CONTROLS

Current Transformer, Shunt

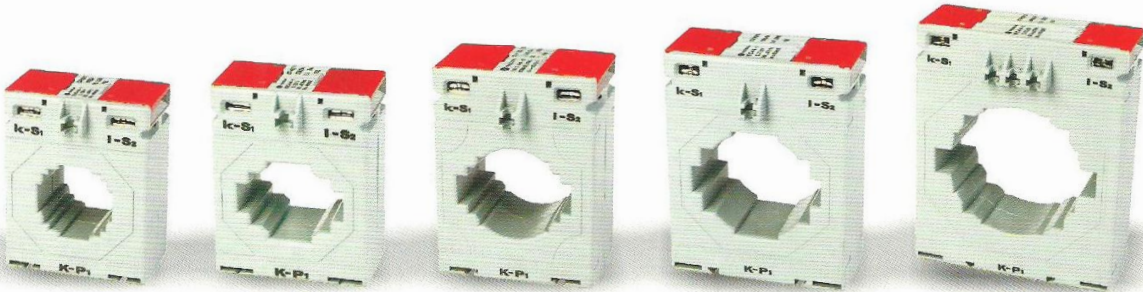
PASSING CABLE CURRENT TRANSFORMERS

	<p>TAF 1</p> <table border="1"> <thead> <tr> <th>Cable ϕ</th> <th colspan="2">burden</th> </tr> </thead> <tbody> <tr> <td>22 mm</td> <td>cl.0,5</td> <td>cl.1,0</td> </tr> <tr> <td></td> <td>VA</td> <td>VA</td> </tr> <tr> <td>/5A</td> <td></td> <td>1</td> </tr> <tr> <td>40</td> <td></td> <td>1</td> </tr> <tr> <td>50</td> <td></td> <td>1</td> </tr> <tr> <td>60</td> <td></td> <td>1</td> </tr> <tr> <td>80</td> <td>1,5</td> <td>3</td> </tr> <tr> <td>100</td> <td>1,5</td> <td>3</td> </tr> <tr> <td>150</td> <td>1,5</td> <td>3</td> </tr> </tbody> </table>	Cable ϕ	burden		22 mm	cl.0,5	cl.1,0		VA	VA	/5A		1	40		1	50		1	60		1	80	1,5	3	100	1,5	3	150	1,5	3																						
Cable ϕ	burden																																																				
22 mm	cl.0,5	cl.1,0																																																			
	VA	VA																																																			
/5A		1																																																			
40		1																																																			
50		1																																																			
60		1																																																			
80	1,5	3																																																			
100	1,5	3																																																			
150	1,5	3																																																			
	<p>TAF 2</p> <table border="1"> <thead> <tr> <th>Cable ϕ</th> <th>bus bar</th> <th colspan="2">burden</th> </tr> </thead> <tbody> <tr> <td>23 mm</td> <td>30×10mm</td> <td>cl.0,5</td> <td>cl.1,0</td> </tr> <tr> <td></td> <td>25×12.5mm</td> <td>VA</td> <td>VA</td> </tr> <tr> <td></td> <td>20×15mm</td> <td></td> <td></td> </tr> <tr> <td>/5A</td> <td></td> <td></td> <td>1</td> </tr> <tr> <td>60</td> <td></td> <td></td> <td>1</td> </tr> <tr> <td>80</td> <td></td> <td></td> <td>1</td> </tr> <tr> <td>100</td> <td></td> <td></td> <td>1</td> </tr> <tr> <td>150</td> <td></td> <td></td> <td>1</td> </tr> <tr> <td>200</td> <td>1,5</td> <td></td> <td>3</td> </tr> <tr> <td>250</td> <td>1,5</td> <td></td> <td>3</td> </tr> <tr> <td>300</td> <td>1,5</td> <td></td> <td>3</td> </tr> <tr> <td>400</td> <td>2</td> <td></td> <td>3</td> </tr> </tbody> </table>	Cable ϕ	bus bar	burden		23 mm	30×10mm	cl.0,5	cl.1,0		25×12.5mm	VA	VA		20×15mm			/5A			1	60			1	80			1	100			1	150			1	200	1,5		3	250	1,5		3	300	1,5		3	400	2		3
Cable ϕ	bus bar	burden																																																			
23 mm	30×10mm	cl.0,5	cl.1,0																																																		
	25×12.5mm	VA	VA																																																		
	20×15mm																																																				
/5A			1																																																		
60			1																																																		
80			1																																																		
100			1																																																		
150			1																																																		
200	1,5		3																																																		
250	1,5		3																																																		
300	1,5		3																																																		
400	2		3																																																		
	<p>TAF 3</p> <table border="1"> <thead> <tr> <th>bus bar</th> <th colspan="2">burden</th> </tr> </thead> <tbody> <tr> <td>40×10mm</td> <td>cl.0,5</td> <td>cl.1,0</td> </tr> <tr> <td>30×20mm</td> <td>VA</td> <td>VA</td> </tr> <tr> <td>25×25mm</td> <td></td> <td></td> </tr> <tr> <td>/5A</td> <td></td> <td></td> </tr> <tr> <td>200</td> <td>2</td> <td>4</td> </tr> <tr> <td>250</td> <td>2,5</td> <td>5</td> </tr> <tr> <td>300</td> <td>4</td> <td>6</td> </tr> <tr> <td>400</td> <td>5</td> <td>8</td> </tr> <tr> <td>500</td> <td>6</td> <td>10</td> </tr> <tr> <td>600</td> <td>6</td> <td>12</td> </tr> <tr> <td>800</td> <td>8</td> <td>15</td> </tr> <tr> <td>1000</td> <td>10</td> <td>20</td> </tr> </tbody> </table>	bus bar	burden		40×10mm	cl.0,5	cl.1,0	30×20mm	VA	VA	25×25mm			/5A			200	2	4	250	2,5	5	300	4	6	400	5	8	500	6	10	600	6	12	800	8	15	1000	10	20													
bus bar	burden																																																				
40×10mm	cl.0,5	cl.1,0																																																			
30×20mm	VA	VA																																																			
25×25mm																																																					
/5A																																																					
200	2	4																																																			
250	2,5	5																																																			
300	4	6																																																			
400	5	8																																																			
500	6	10																																																			
600	6	12																																																			
800	8	15																																																			
1000	10	20																																																			
	<p>TAC 1</p> <table border="1"> <thead> <tr> <th>Cable ϕ</th> <th>bus bar</th> <th colspan="2">burden</th> </tr> </thead> <tbody> <tr> <td>23 mm</td> <td>30×10mm</td> <td>cl.0,5</td> <td>cl.1,0</td> </tr> <tr> <td></td> <td>25×12.5mm</td> <td>VA</td> <td>VA</td> </tr> <tr> <td></td> <td>20×15mm</td> <td></td> <td></td> </tr> <tr> <td>/5A</td> <td></td> <td></td> <td></td> </tr> <tr> <td>40</td> <td></td> <td></td> <td>1</td> </tr> <tr> <td>50</td> <td></td> <td></td> <td>1</td> </tr> <tr> <td>60</td> <td></td> <td></td> <td>1</td> </tr> <tr> <td>80</td> <td>1,5</td> <td></td> <td>3</td> </tr> <tr> <td>100</td> <td>1,5</td> <td></td> <td>3</td> </tr> <tr> <td>150</td> <td>1,5</td> <td></td> <td>3</td> </tr> </tbody> </table>	Cable ϕ	bus bar	burden		23 mm	30×10mm	cl.0,5	cl.1,0		25×12.5mm	VA	VA		20×15mm			/5A				40			1	50			1	60			1	80	1,5		3	100	1,5		3	150	1,5		3								
Cable ϕ	bus bar	burden																																																			
23 mm	30×10mm	cl.0,5	cl.1,0																																																		
	25×12.5mm	VA	VA																																																		
	20×15mm																																																				
/5A																																																					
40			1																																																		
50			1																																																		
60			1																																																		
80	1,5		3																																																		
100	1,5		3																																																		
150	1,5		3																																																		

CURRENT TRANSFORMER

	<p>TAB 0</p> <table border="1"> <tr> <td>Cable ϕ</td> <td colspan="2">burden</td> </tr> <tr> <td>22 mm</td> <td>cl.0,5</td> <td>cl.1,0</td> </tr> <tr> <td></td> <td>VA</td> <td>VA</td> </tr> <tr> <td>/5A</td> <td>-</td> <td>1</td> </tr> <tr> <td>40</td> <td>-</td> <td>1,5</td> </tr> <tr> <td>50</td> <td>-</td> <td>1,5</td> </tr> <tr> <td>60</td> <td>-</td> <td>2</td> </tr> <tr> <td>80</td> <td>2</td> <td>4</td> </tr> <tr> <td>100</td> <td>3</td> <td>6</td> </tr> <tr> <td>150</td> <td>4</td> <td>8</td> </tr> <tr> <td>200</td> <td>5</td> <td>10</td> </tr> </table>	Cable ϕ	burden		22 mm	cl.0,5	cl.1,0		VA	VA	/5A	-	1	40	-	1,5	50	-	1,5	60	-	2	80	2	4	100	3	6	150	4	8	200	5	10																											
Cable ϕ	burden																																																												
22 mm	cl.0,5	cl.1,0																																																											
	VA	VA																																																											
/5A	-	1																																																											
40	-	1,5																																																											
50	-	1,5																																																											
60	-	2																																																											
80	2	4																																																											
100	3	6																																																											
150	4	8																																																											
200	5	10																																																											
	<p>TAB 1</p> <table border="1"> <tr> <td>Cable ϕ</td> <td>bus bar</td> <td colspan="2">burden</td> </tr> <tr> <td>23 mm</td> <td>30x10mm</td> <td>cl.0,5</td> <td>cl.1,0</td> </tr> <tr> <td></td> <td></td> <td>VA</td> <td>VA</td> </tr> <tr> <td>/5A</td> <td></td> <td>-</td> <td>1</td> </tr> <tr> <td>50</td> <td></td> <td>-</td> <td>1</td> </tr> <tr> <td>60</td> <td></td> <td>-</td> <td>1,5</td> </tr> <tr> <td>80</td> <td></td> <td>-</td> <td>1,5</td> </tr> <tr> <td>100</td> <td></td> <td>1</td> <td>2</td> </tr> <tr> <td>150</td> <td></td> <td>2</td> <td>4</td> </tr> <tr> <td>200</td> <td></td> <td>3</td> <td>6</td> </tr> <tr> <td>250</td> <td></td> <td>3</td> <td>6</td> </tr> <tr> <td>300</td> <td></td> <td>5</td> <td>10</td> </tr> <tr> <td>400</td> <td></td> <td>8</td> <td>12</td> </tr> <tr> <td>500</td> <td></td> <td>10</td> <td>15</td> </tr> </table>	Cable ϕ	bus bar	burden		23 mm	30x10mm	cl.0,5	cl.1,0			VA	VA	/5A		-	1	50		-	1	60		-	1,5	80		-	1,5	100		1	2	150		2	4	200		3	6	250		3	6	300		5	10	400		8	12	500		10	15				
Cable ϕ	bus bar	burden																																																											
23 mm	30x10mm	cl.0,5	cl.1,0																																																										
		VA	VA																																																										
/5A		-	1																																																										
50		-	1																																																										
60		-	1,5																																																										
80		-	1,5																																																										
100		1	2																																																										
150		2	4																																																										
200		3	6																																																										
250		3	6																																																										
300		5	10																																																										
400		8	12																																																										
500		10	15																																																										
	<p>TAB 2</p> <table border="1"> <tr> <td>Cable ϕ</td> <td>bus' bar</td> <td colspan="2">burden</td> </tr> <tr> <td>33 mm</td> <td>40x10mm</td> <td>cl.0,5</td> <td>cl.1,0</td> </tr> <tr> <td></td> <td>35x10mm</td> <td></td> <td></td> </tr> <tr> <td></td> <td>25x10mm</td> <td></td> <td></td> </tr> <tr> <td></td> <td></td> <td>VA</td> <td>VA</td> </tr> <tr> <td>/5A</td> <td></td> <td>-</td> <td>2</td> </tr> <tr> <td>100</td> <td></td> <td>1</td> <td>3</td> </tr> <tr> <td>150</td> <td></td> <td>2</td> <td>4</td> </tr> <tr> <td>200</td> <td></td> <td>2,5</td> <td>5</td> </tr> <tr> <td>250</td> <td></td> <td>4</td> <td>6</td> </tr> <tr> <td>300</td> <td></td> <td>5</td> <td>8</td> </tr> <tr> <td>400</td> <td></td> <td>6</td> <td>10</td> </tr> <tr> <td>500</td> <td></td> <td>6</td> <td>12</td> </tr> <tr> <td>600</td> <td></td> <td>8</td> <td>15</td> </tr> <tr> <td>800</td> <td></td> <td>10</td> <td>20</td> </tr> </table>	Cable ϕ	bus' bar	burden		33 mm	40x10mm	cl.0,5	cl.1,0		35x10mm				25x10mm					VA	VA	/5A		-	2	100		1	3	150		2	4	200		2,5	5	250		4	6	300		5	8	400		6	10	500		6	12	600		8	15	800		10	20
Cable ϕ	bus' bar	burden																																																											
33 mm	40x10mm	cl.0,5	cl.1,0																																																										
	35x10mm																																																												
	25x10mm																																																												
		VA	VA																																																										
/5A		-	2																																																										
100		1	3																																																										
150		2	4																																																										
200		2,5	5																																																										
250		4	6																																																										
300		5	8																																																										
400		6	10																																																										
500		6	12																																																										
600		8	15																																																										
800		10	20																																																										

CURRENT TRANSFORMER



CTP 30/11

CTP 40/11

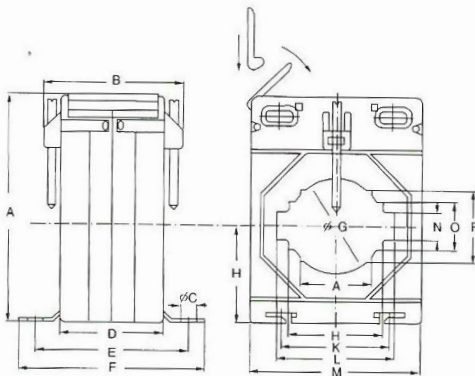
CTP 50/12

CTP 60/12

CTP 80/12

OUTLINE DRAWING OF CTP30/11 TO CTP80/12

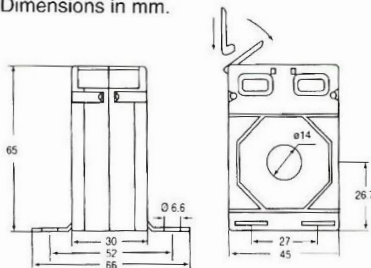
Dimensions in mm.



Model	Rated Current (A) Primary/Secondary	Rated burden (VA)	Accuracy Class (CL)	Rated Voltage	Rated Frequency
CTP30/11	50/5A-300/5A	1.5 - 5	1.0 - 05	720V	50/60Hz
CTP40/11	150/5A-800/5A	1.5 - 10	1.0 - 05	720V	50/60Hz
CTP50/12	250/5A-1000/5A	5 - 10	1.0 - 05	720V	50/60Hz
CTP60/12	250/5A-1500/5A	5 - 10	1.0 - 05	720V	50/60Hz
CTP80/12	300/5A-2000/5A	5 - 15	1.0 - 05	720V	50/60Hz

OUTLINE DRAWING OF CTP-14

Dimensions in mm.



Secondary current: 5A Security Factor: FS-5
 Frequency: 50-60Hz High voltage test: 4KV_{eff}, 50Hz, 1min
 Rated voltage: 720V Weight: 200-250gr

Rated Current(A) Primary/Secondary	30/5A-40/5A	50/5A	60/5A	75/5A-80/5A	100/5A
Accuracy Class	3	1.0	1.0	1.0	1.0
burden(VA)	1	1	1.5	1.5	1.5

CURRENT TRANSFORMER



SCT-30



SCT-40



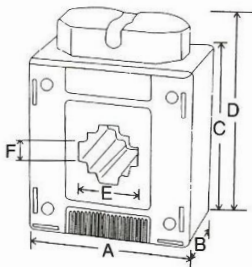
SCT-60



SCT-100

This type current transformer is made according to BS3938 with ABS non-combustible plastic case.

Outline drawing of SCT.TYPE

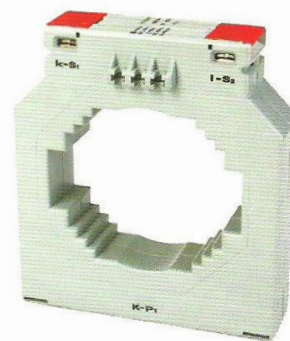
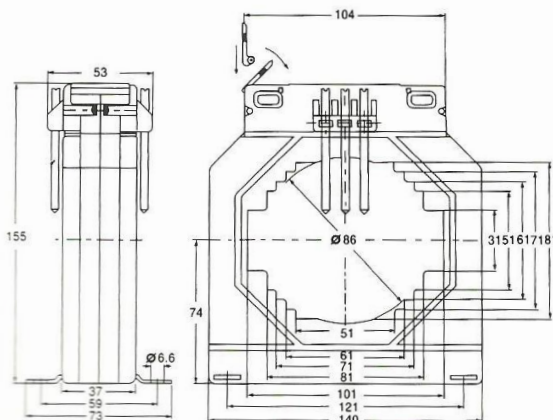


Model	Rated Current (A) Primary / Secondary	Busbar Hole Dimension (mm)	Rated burden (VA)	Accuracy Class (CL)	Rated Voltage	Rated Frequency
SCT-30	50/5A-300/5A	30×10	1-7.5	0.5 1.0	660V	50/60Hz
SCT-40	200/5A-800/5A	40×10	5-10	0.5 1.0	660V	50/60Hz
SCT-60	400/5A-1200/5A	60×20	10-15	0.5 1.0	660V	50/60Hz
SCT-100	1000/5A-3000/5A	100×20	10-15	0.5 1.0	660V	50/60Hz

Model	A	B	C	D	E	F
SCT-30	85	53	95	112	30	10
SCT-40	85	53	95	112	40	10
SCT-60	111	53	131	148	60	20
SCT-100	155	53	174	192	100	20

OUTLINE DRAWING OF CTP100/31

Dimensions in mm.



CTP100/31

Rated current(A)
 Primary/Secondary current: 1000/5A-4000/5A
 Rated burden: 15VA~40VA
 Accuracy Class: 0.2~1.0
 Rated voltage: 720V
 Operating frequency: 50-60Hz

CURRENT TRANSFORMERS FOR AMMETERS. (LOW VOLTAGE)



MFO-30



MFO-40



MFO-60

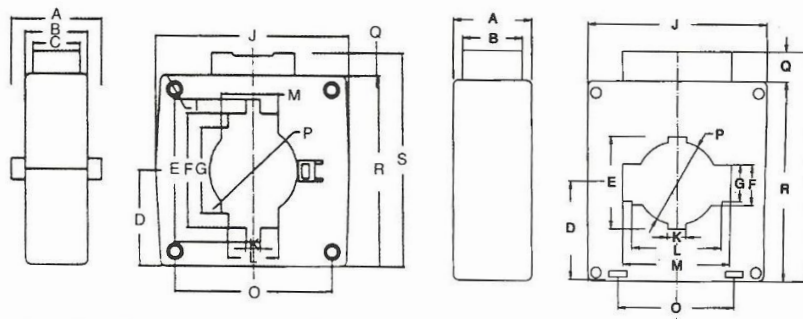


MFO-100

MOTD	MFO-30	MFO-40	MFO-60	MFO-100
RATIO	POWER CLASS	POWER CLASS	POWER CLASS	POWER CLASS
50/5A	2VA* 1A			
60/5A	2VA* 1A			
75/5A	2,5VA* 1A			
100/5A	2,5VA* 1A			
125/5A	2,5VA* 1A			
150/5A	3VA* 1A			
200/5A	5VA 1	3VA* 1A		
250/5A	5VA 1	3VA* 1A		
300/5A	5VA 1	5VA 1		
400/5A	5VA 1	5VA 1		
500/5A	5VA 1	5VA 1	7,5VA 1	
600/5A			7,5VA 1	
700/5A			7,5VA 1	
750/5A			7,5VA 1	
800/5A			7,5VA 1	
1000/5A			7,5VA 1	10VA 1
1200/5A			10VA 1	10VA 1
1500/5A			10VA 1	10VA 1
2000/5A				10VA 1
2500/5A				10VA 1
3000/5A				10VA 1

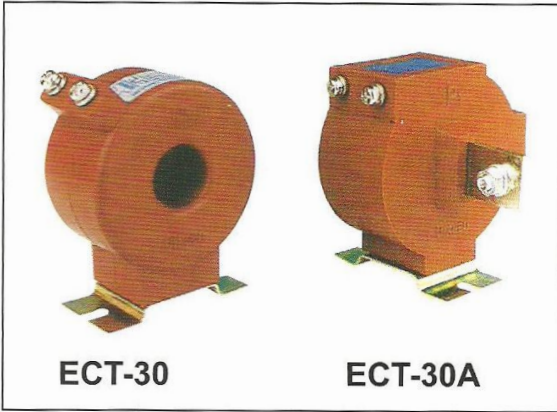
MFO-100

MFO-30~MFO-60



ITEM NO.	PRIMARY / SECONDARY (A)	WINDOW DIMENSION	PCOAD (VA)	ACCURACY CLASS	RATED VOLTAGE
MFO-30	30/5A-500/5A	30X10mm	2.5	1.0	600V
MFO-40	30/5A-500/5A	40X10mm	5	1.0	600V
MFO-60	400/5A-800/5A	60X20mm	10	1.0	600V
MFO-100	800/5A-3000/5A	100X10mm	15	1.0	600V

CURRENT TRANSFORMER



ECT-30 Indoor cast-resin insulated CT

Primary current: 30-300A
 Secondary current: 5A
 Frequency: 50-60Hz
 Rated burden: 10VA, 15VA
 Class: 0.2, 0.5s, 0.5, 1.0

ECT-30A Indoor cast-resin insulated CT

Primary current: 30-200A
 Secondary current: 5A
 Frequency: 50-60Hz
 Rated burden: 5VA, 10VA, 15VA
 Class: 0.2, 0.5s, 0.5, 1.0

RCT-15-4



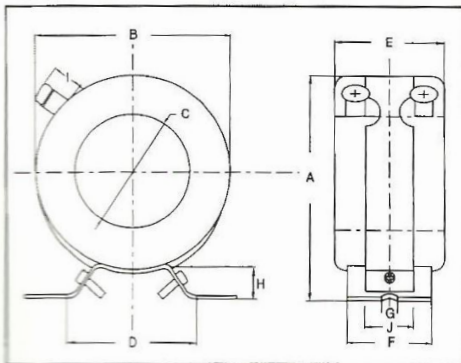
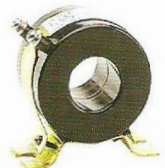
RCT-15-3



RCT-15-2



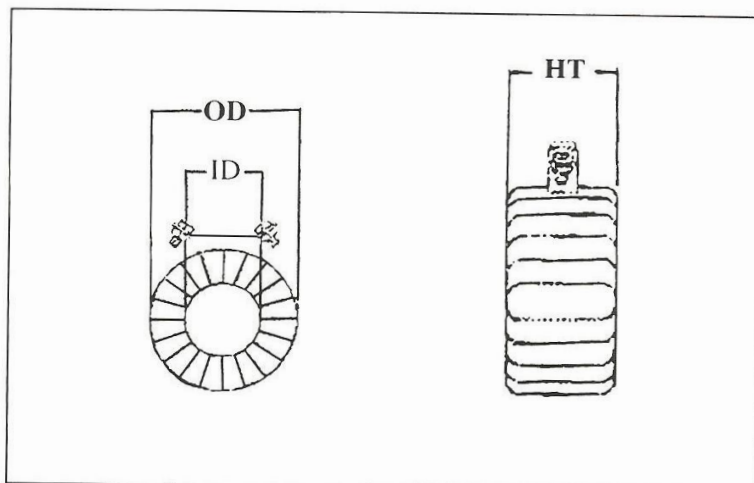
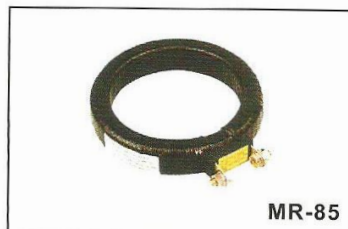
RCT-15-1



Model	Primary Current Rating(Amp)	Sec Current(A)	Burden (VA)	Accuracy Strength	Power	Weight
RCT-15-1	20~300	5	5~10	1.0	40	0.8
RCT-15-2	400~600	5	15	1.0	40	1
RCT-15-3	800~1200	5	15	1.0	40	1.3
RCT-15-4	1600~3000	5	15	1.0	40	2

Model	A	B	C	D	E	F	G	H	I	J
RCT-15-1	92	78	35	67	55	45	8	17	14	25
RCT-15-2	116	100	60	67	57	45	8	17	15	25.5
RCT-15-3	150	135	91	67	59	45	8	17	15	26.2
RCT-15-4	178	160	110	72	60	45	8	19	16	26.7

MR CURRENT TRANSFORMERS

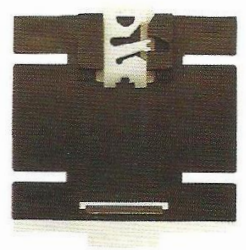


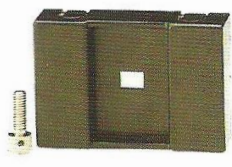


MR series:

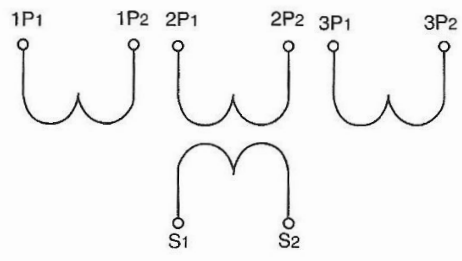
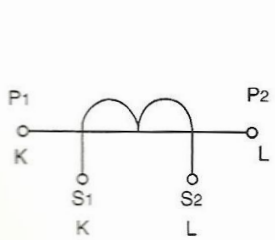
Class: 0.5 1.0 3.0

TYPE	SPECIFICATION	ID(mm)	OD(mm)	HT(mm)
MR-28	30/5A-60/5A	28	70	40
MR-42	100/5A-250/5A	42	80	30
MR-45	300/5A	45	80	30
MR-60	400/5A-600/5A	60	100	30
MR-85	800/5A-1600/5	85	120	20
MR-125	2000/A-5000/5	125	165	20

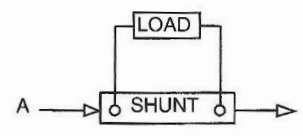
ACCESSORIES

	<p>STAB</p> <p>Support for C.T. for DIN rail (MFO)</p>
	<p>STAF</p> <p>Support for C.T. for DIN rail (TAF)</p>
	<p>STAC</p> <p>Adapter for changing in screw the TAF fasten caps.</p>
	<p>STAP</p> <p>Protection for secondary output contacts of TAB-MFO</p>

CONNECTING DRAWING

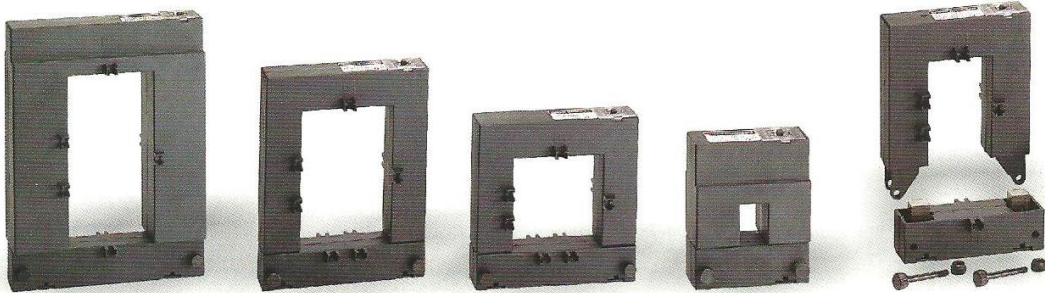


Summating C.T.



Shunt

SPLIT CORE CURRENT TRANSFORMERS

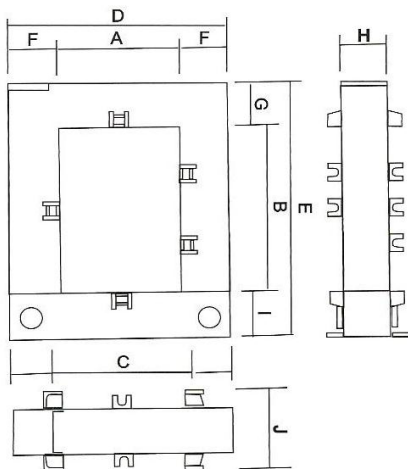


MODEL	PRIMARY CURRENT	CLASS 0.5	CLASS 1	CLASS 3	HOLE DIMENSIONS mm	WEIGHT kg
	A	VA	VA	VA		
RS-23	100	-	-	2	20.0 X 30.0	0.75
	150	-	-	3.75		
	200	-	2.5	4		
	250	-	3.75	5		
RS-58	300	2	3.75	5	50.0 X 80.0	0.90
	400	2.5	3.75	7.5		
	500	3.75	5	15		
	600	5	7.5	20		
RS-88	800	7.5	10	20	80.0 X 80.0	1.25
	1000	10	15	20		
RS-812	1200	15	20	30	80.0 X 120	1.25
	1500	15	20	30		
	1500	20	30	45		
RS-816	2000	25	30	45	80.0 X 160	4.30
	2500					
	3000					
	4000					
	5000					
	6000					

ORDERING INFORMATION

MODEL	RATIO	
RS - 23	100/5A - 250/5A	
RS - 58	300/5A - 600/5A	
RS - 88	800/5A - 1000/5A	5A
RS - 812	1200/5A - 1500/5A	
RS - 816	2000/5A - 6000/5A	

Dimensions (mm's)



Model	RS-23	RS-58	RS-88	RS-812	RS-816
A	20	50	80	80	80
B	30	80	80	120	160
C	51	78	108	108	120
D	89	114	144	144	184
E	110	145	145	185	245
F	34	32	32	32	52
G	47	32	32	32	47
H	40	32	32	32	52
I	32	33	33	33	38
J	59	-	-	-	-